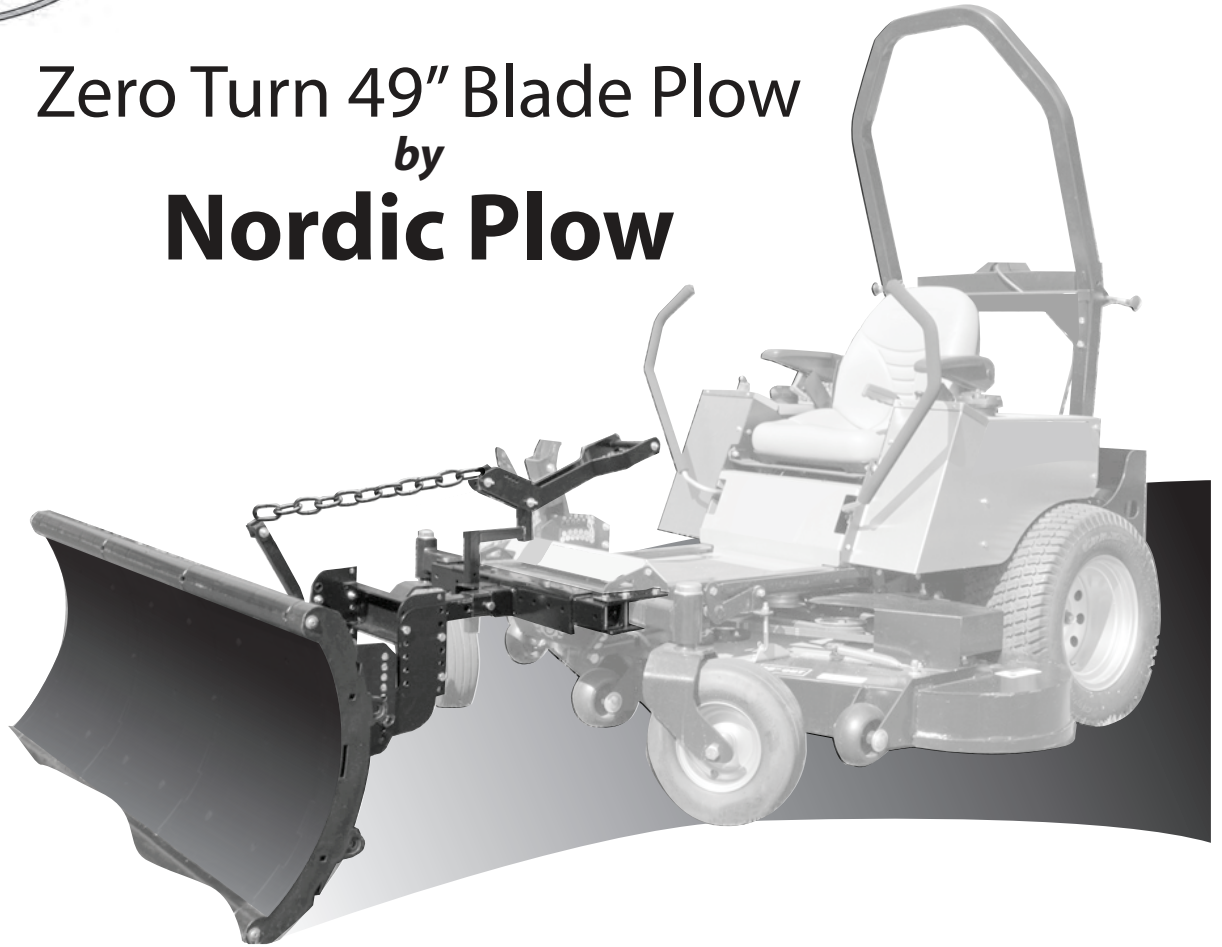




Zero Turn 49" Blade Plow by **Nordic Plow**



..... 3	DANSK.....18
ENGLISH.....11	NORSK.....19
FRANCAIS.....12	SVENSKA.....20
ITALINO..... 13	POLSKI.....21
NEDERLANDS..... 14	CESTINA.....22
ESPAÑOL..... 15	MAGYAR.....23
PORTUGUES.....16	XXXXXX.....24
XXXXXX..... 17	XXXXXXXX.....25

One Year Limited Warranty

ATV, Z Turn, Lawn Tractor, UTV & Turf Plows

For twelve months from date of purchase, Nordic Auto Plow LLC warrants against the defects due to workmanship or materials to the original purchaser. If a defect does exist, it will be obvious to the eye before assembly and we will promptly replace any defective part.

The plastic components of the plow are designed to break under extreme stress in order to minimize damage to the vehicle and is not considered a defect. To minimize this breakage, we stress the user to read the tip sheets offered and review the videos available at www.nordicplow.com. Any used and/or broken components can be replaced at a nominal charge by calling 888-662-PLOW (7569) or by visiting our website.

Once a plow is used, it cannot be resold, and thus will not be accepted as a return. A restocking fee equal to 20% of the purchase price plus applicable freight charges will be assessed for any returned unopened and unused.

Nordic Auto Plow LLC obligations under this warranty are limited to the following guidelines:

- This warranty does not cover units that have been altered / modified or damaged due to: normal wear, improper maintenance, and/or improper use.
- This warranty does not cover any damage that may occur to any vehicle to which the product is mounted or comes in contact with.
- This warranty does not cover surface scratches to the plow, which is considered normal wear.
- This warranty is not transferable or assignable to subsequent purchasers.
- This warranty does not cover liability for damage to property, or injury to, or death of any person arising out of the operation, maintenance or use of the covered product.

EXCEPT AS STATE ABOVE, NORDIC AUTO PLOW LLC MAKES NO OTHER EXPRESS OR IMPLIED WARRANTIES. THE IMPLIED WARRANTIES OF MERCHANTABILITY AND FITNESS FOR A PARTICULAR PURPOSE ARE LIMITED IN DURATION FOR TWELVE MONTHS FROM THE DATE OF PURCHASE. SOME STATES DO NOT ALLOW LIMITATIONS ON HOW LONG AN IMPLIED WARRANTY LAST, SO THE ABOVE LIMITATION MAY NOT APPLY TO YOU.

ANY LIABILITY FOR INDIRECT OR CONSEQUENTIAL DAMAGE ARISING FROM THE FAILURE OF NORDIC AUTO PLOW LLC TO COMPLY WITH THIS WARRANTY OR ANY IMPLIED WARRANTY IS EXCLUDED. CUSTOMER ACKNOWLEDGES THAT THE PURCHASE PRICE CHARGED IS BASED UPON THE LIMITATIONS CONTAINED IN THE WARRANTY SET OUT ABOVE. SOME STATES DO NOT ALLOW THE EXCLUSION OR LIMITATION OF INCIDENTAL OR CONSEQUENTIAL DAMAGES, SO THE ABOVE LIMITATION OR EXCLUSION MAY NOT APPLY TO YOU. THIS WARRANTY GIVES YOU SPECIFIC LEGAL RIGHTS AND YOU MAY ALSO HAVE OTHER RIGHTS WHICH VARY FROM STATE TO STATE.

Nordic Auto Plow LLC, 771 W. North Avenue, West Chicago, IL 60185 www.nordicplow.com
T) 888-662-7569 F) 866-941-6577 rev 3/15

ENGLISH

Safety:

Read and understand the plow instructions, Warranty & FAQ and Tips before use. Scan the QRC instructional videos on the first page or watch the videos on our website before use. (www.nordicplow.com)

Always instruct other users before they use the plow.

Operation:

Risk of Injury

Never allow anyone to walk beside or sit on the plow when in use.

Never operate the plow over 2 to 3 mph. Keep a slow steady speed.

If you hit an obstruction, stop the vehicle and reverse direction.

Instruction Clarification:

STEP 7: Be sure to put Parts #4 and #5 as shown. The #4 T plate goes on top of the rail, and the #5 B goes on top of the bottom rail. If incorrect, you will have problems with Step 8.

STEPS 8: Part #49 goes between the pivot bracket and plates. See Step 7 if there isn't room. Tighten the lock nuts (Part #41) fully then back off half turn for easy movement.

STEP 9: There are several types of Z-Turns on the market—two are shown above Step 9. We are providing Parts #15 & #16 to accommodate the width and style of your machine.

STEP 10 & 11: Use Spacer (Part #42) on 3" wide frame units. Use bolt #28 to attach the bracket when possible, but we have included a longer bolt (Part #27) if needed. This assembly **MUST** be tightened securely to the frame before use.

STEP 13 & 14: Part #23 can be placed on either side of the hitch as preferred by operator. Adjust the height of Part #50 after completing Step 17 instructions.

STEP 15 & 16: Part #11 is a center support that some Z-Turns require. It supports the open space between our bracket and the frame.

STEP 17: Bolt the foot pedal arms into the 4th hole of Part #50 as shown.

STEP 18: Insert hitch into hitch receiver. Before attaching bolts to Part #9, measure the axle hole so it is 7in (178mm) above the ground.

STEP 19: Bolt Part #17 into the holes on Part #7 after lining them up using the same side as Part 23 is as shown in Step 13.

STEP 21: Adjust the chain length based upon personal comfort. The blade should rise 6" or so from the ground when the foot pedal is depressed.

FAQ's

How long will the plow last?

The lightweight, rounded edge design reduces friction and wear of the blade. The bottom edge will show signs of pits and

scratches but will not degrade the reversible blade.

Can I use it on uneven surfaces or grass?

Yes – our rounded edge is safe on paver bricks, tarps, grass, gravel and most uneven surfaces without causing damage to the blade or surface being plowed.

Will the plow leave marks on the pavement?

The Nordic Plow will not leave marks on your driveway, unlike traditional steel plows that can leave rust and scratches on the pavement.

Trouble Shooting & Tips

Blade is not flush to ground:

The top pivot and bottom pivot plates must be reversed.

The blade flips forward when plowing:

Adjust the boots and axle so that the axle is 7" (178mm) from the ground.

Plow rolls up on the snow:

Adjust the angle of the blade as shown in Step 20 by moving the axle Part # 8 into another hole, either higher or lower as needed.

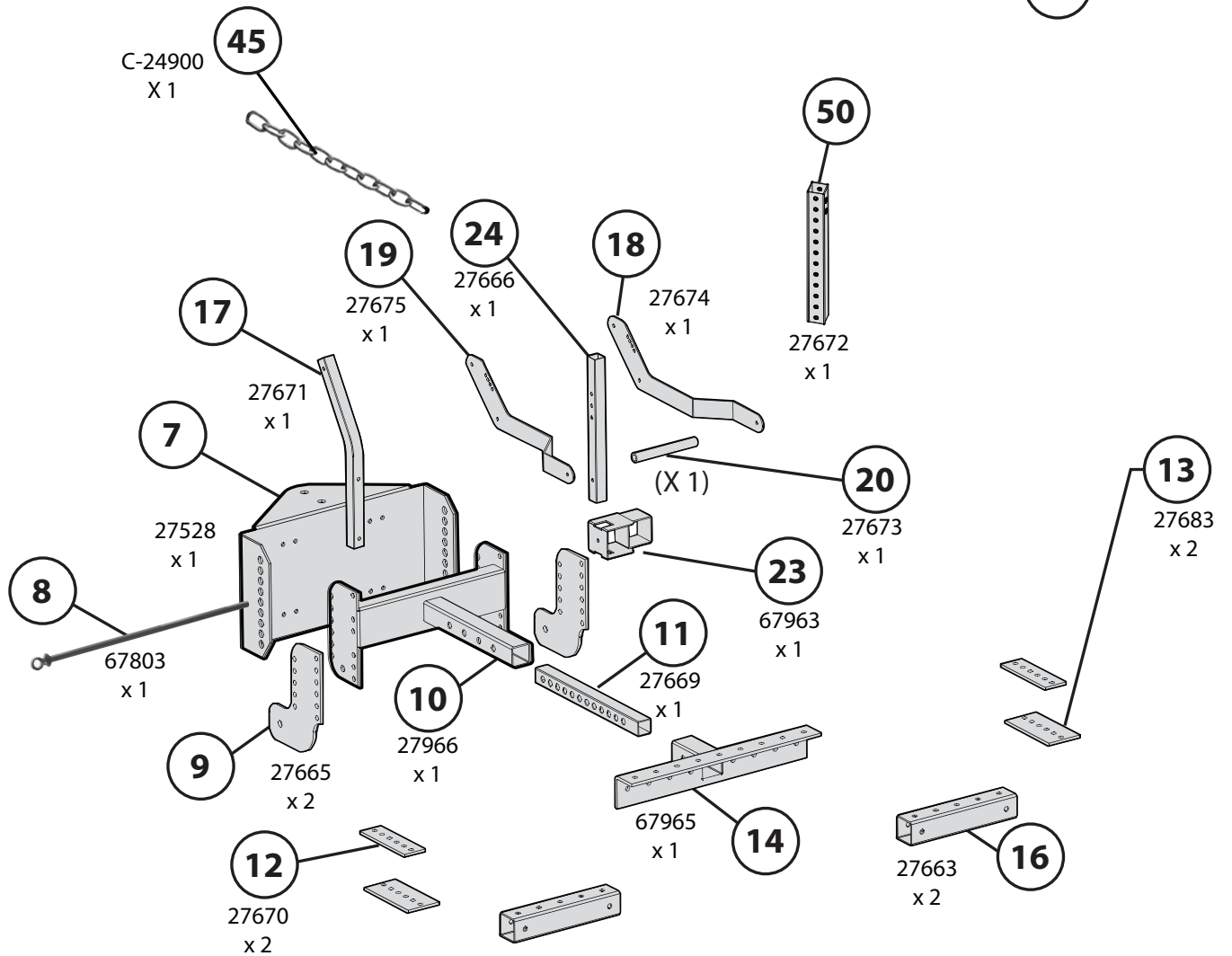
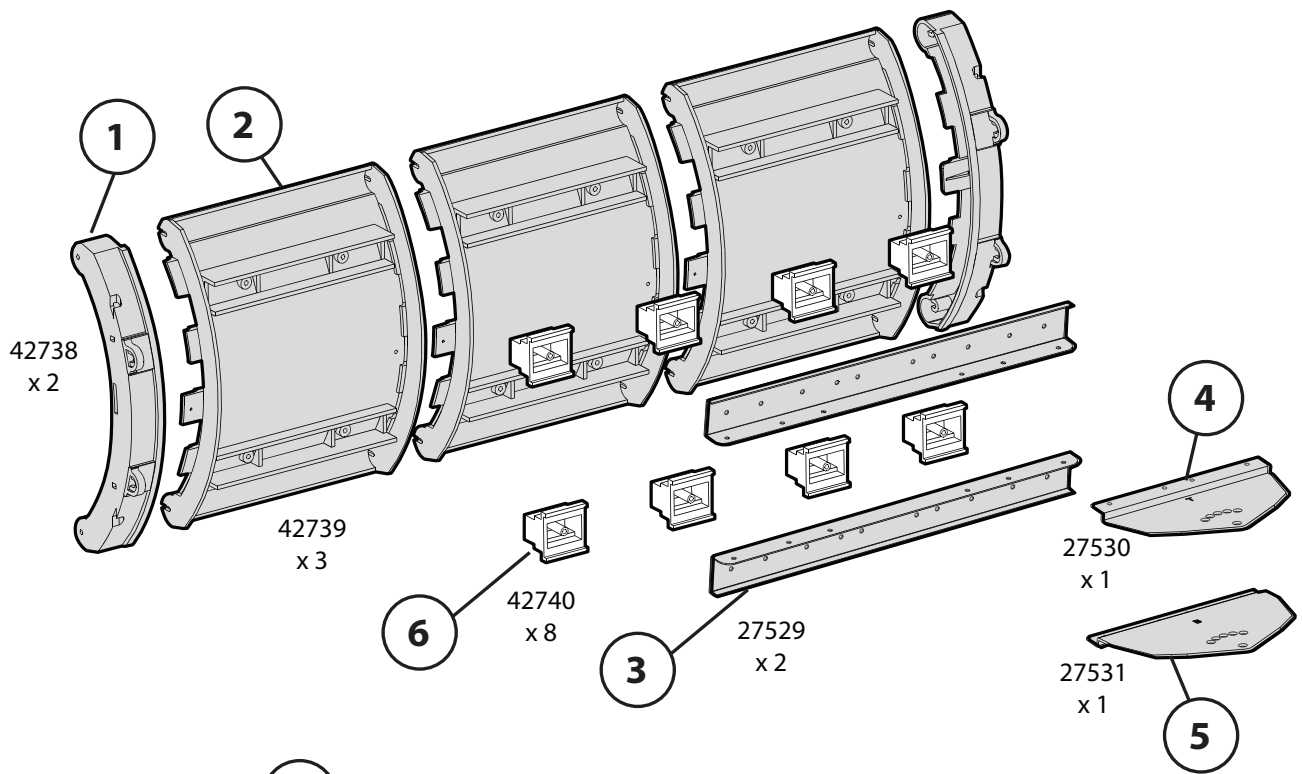
The blade is heavy to lift with foot pedal during operation:

Reverse the machine briefly to clear the blade of the material before lifting.

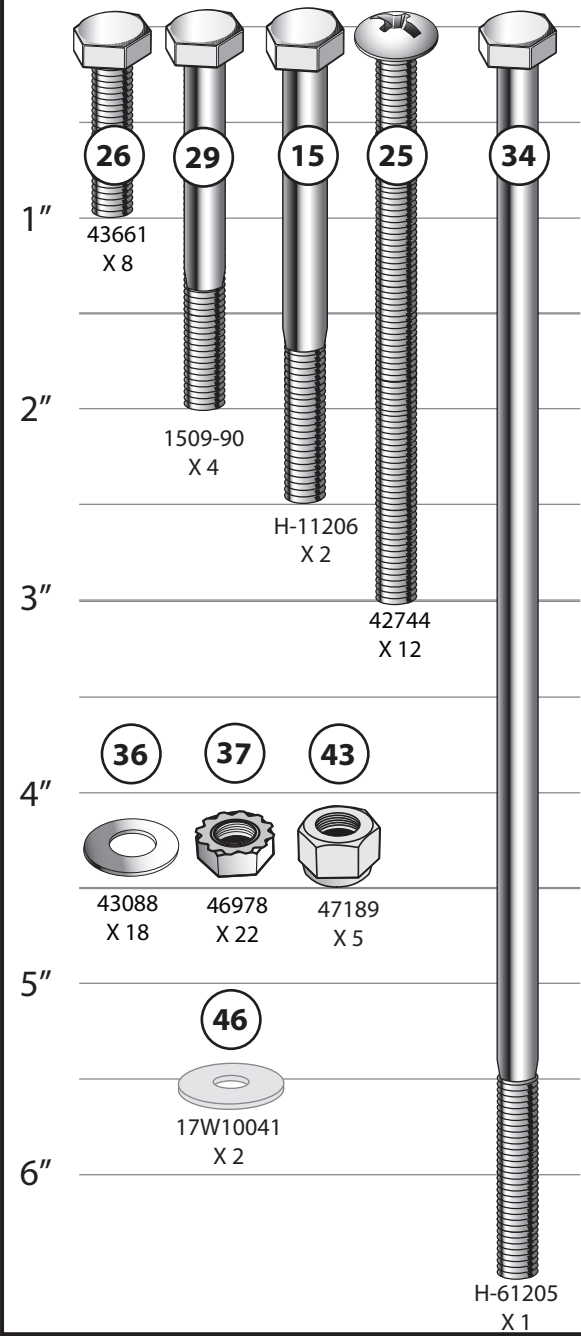
Unlock the Blade- Consider plowing without Part #33 - the blade will free float from side to side. The first end of the blade that hits the snow will move the blade to the proper angle.

Nordic Plow 49" and 64" Zero Turn Instructions

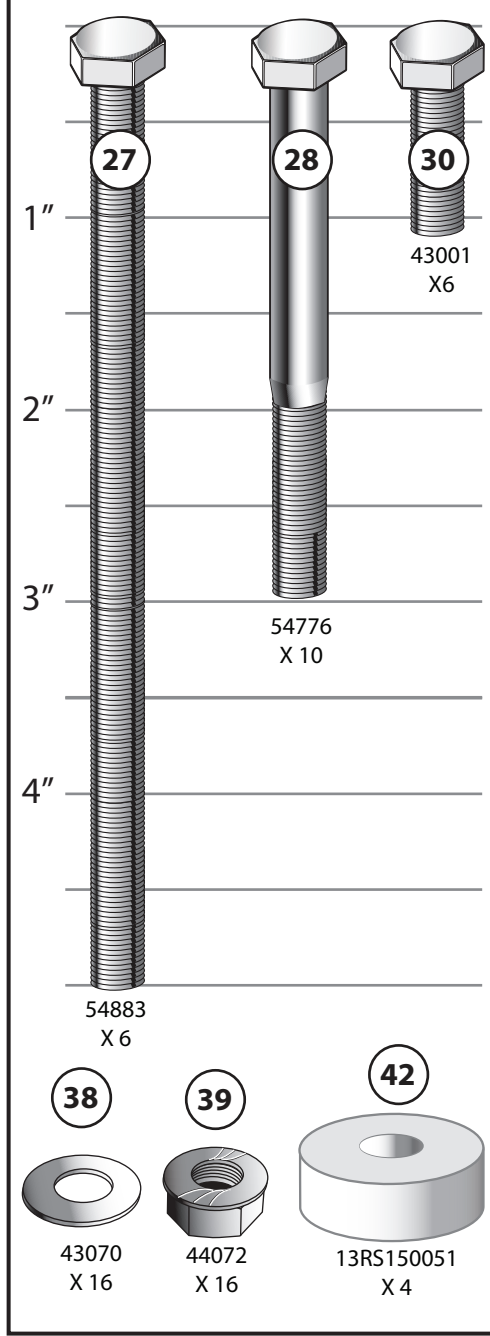
Copyright 01/13/15



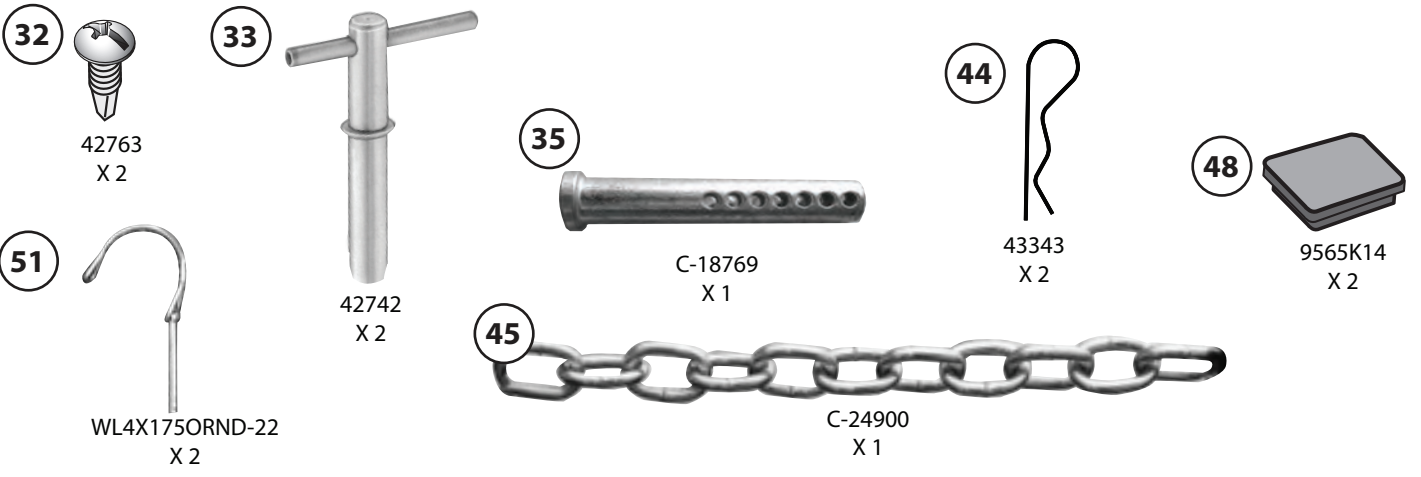
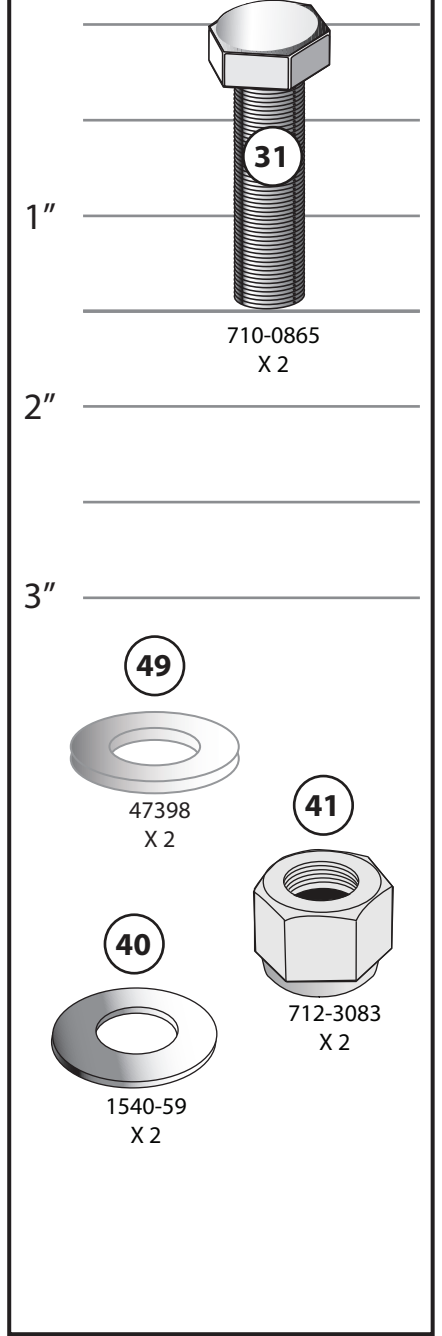
1/4"

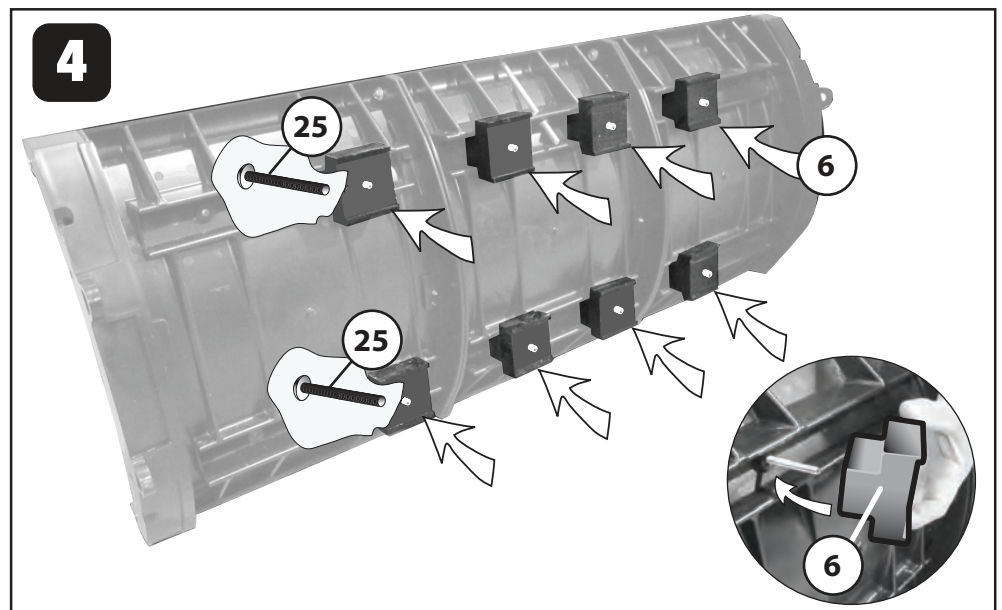
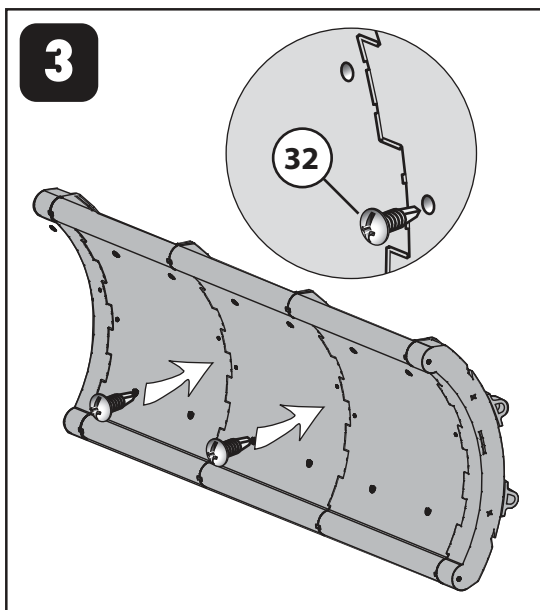
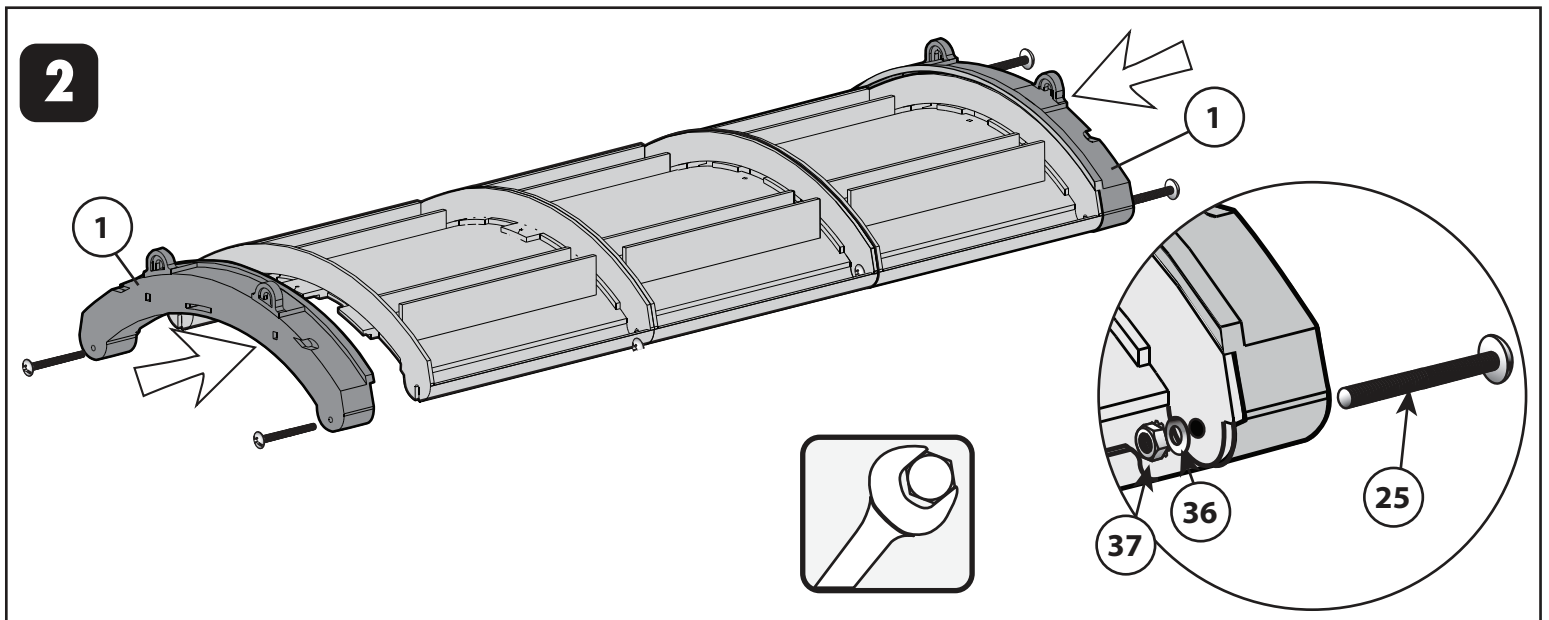
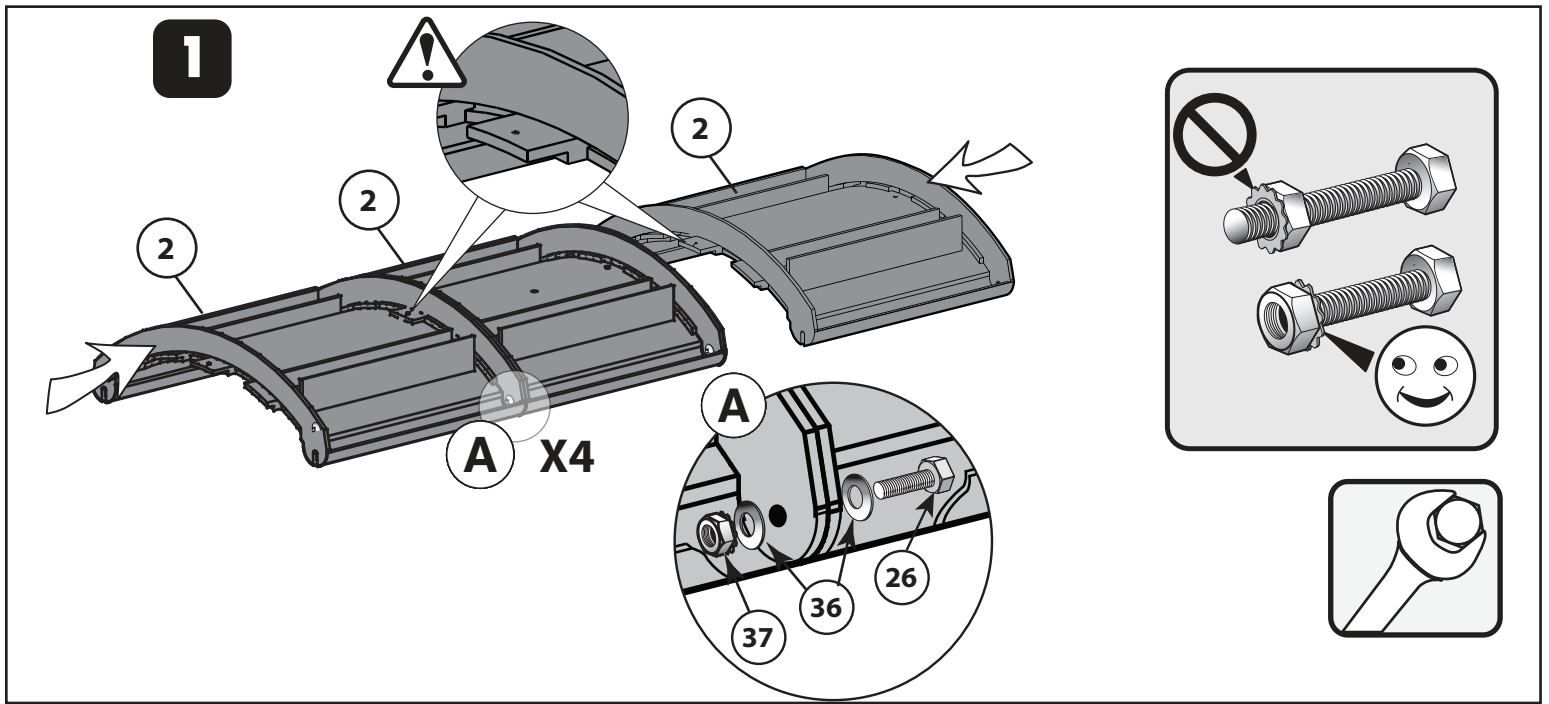


3/8"

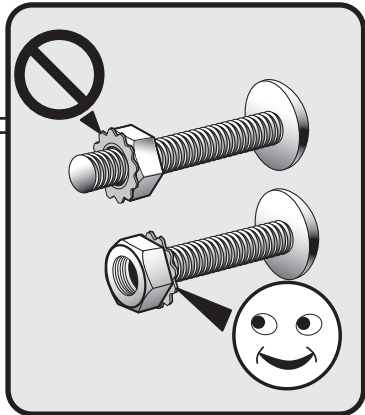
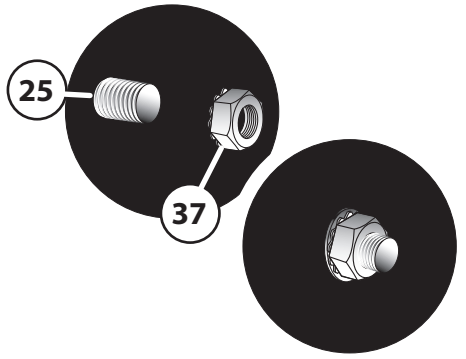
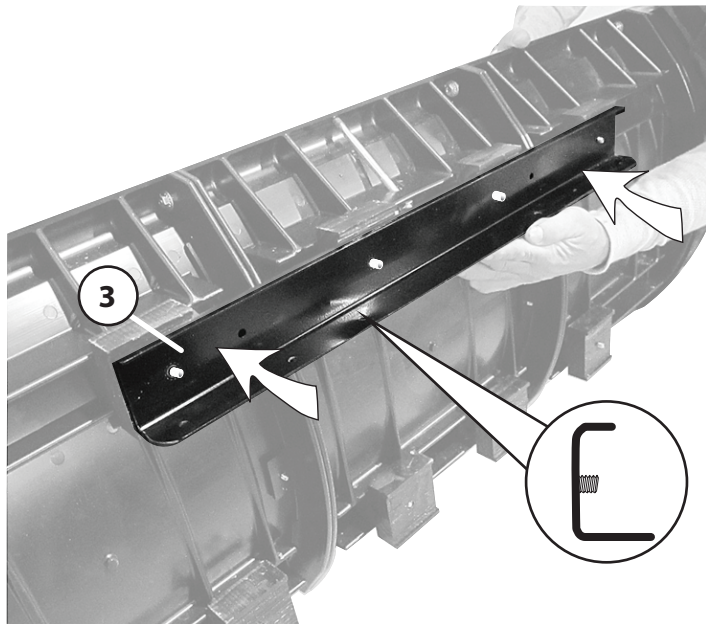


1/2"

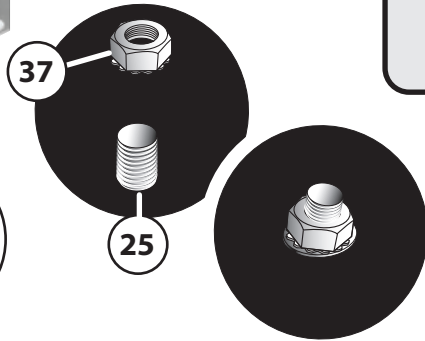
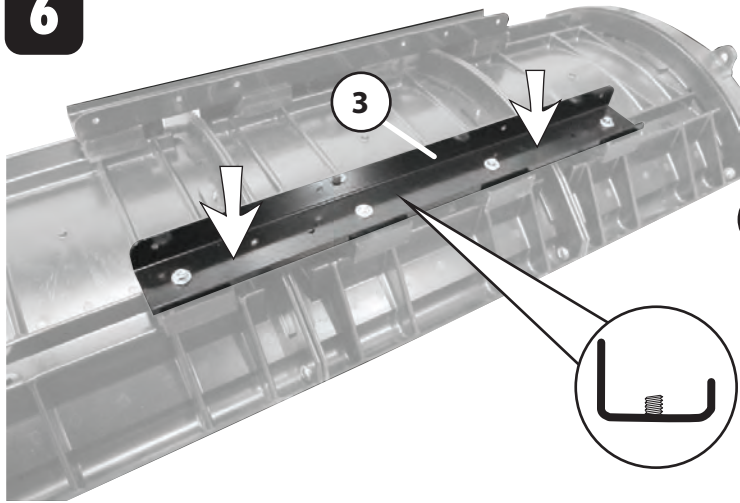




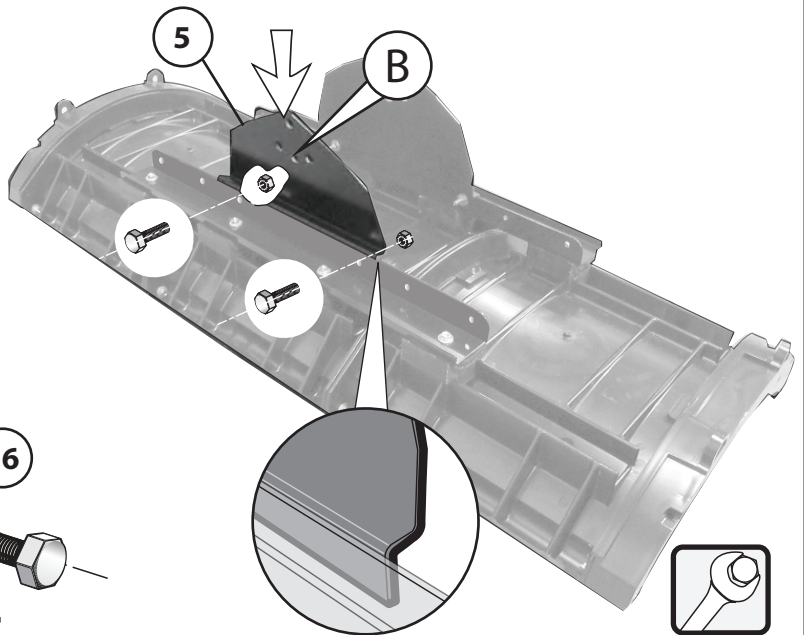
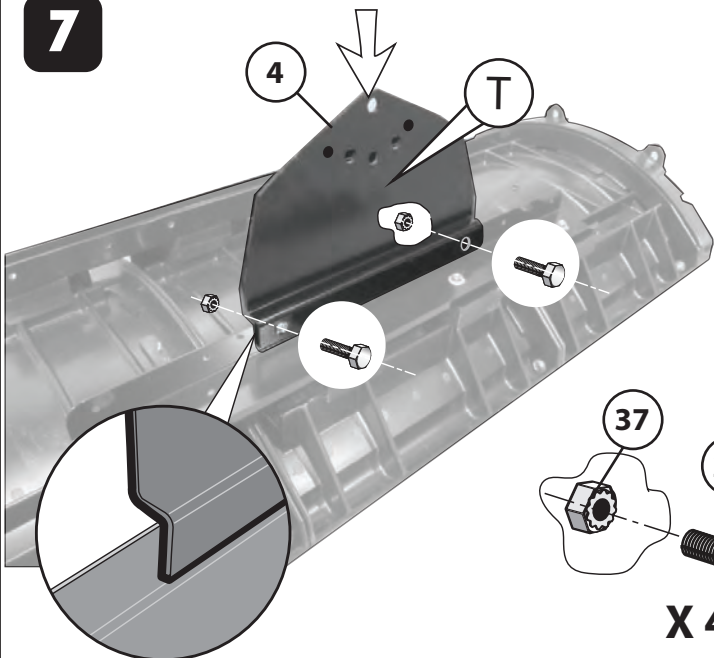
5



6



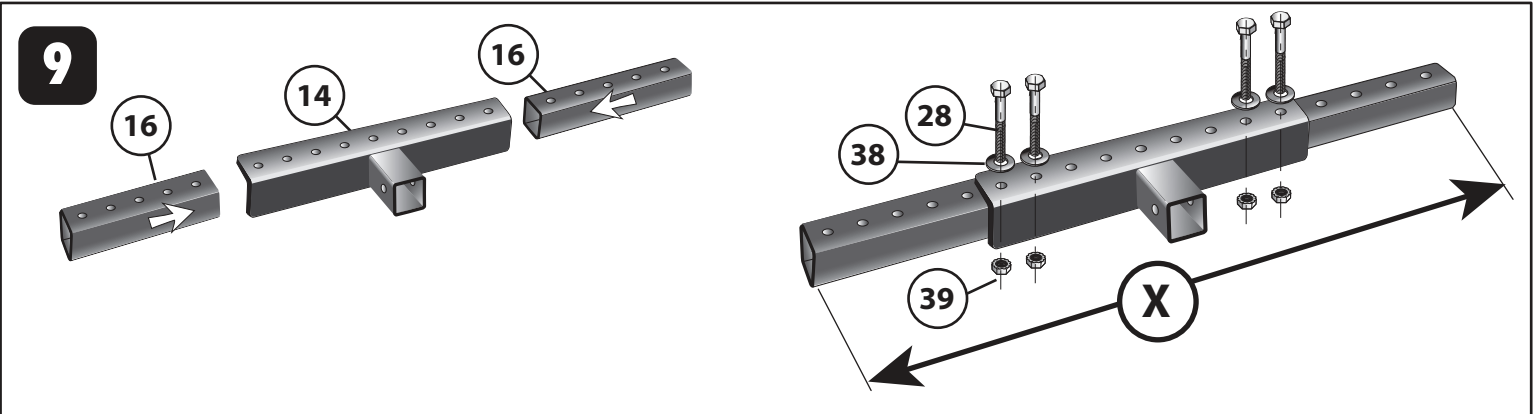
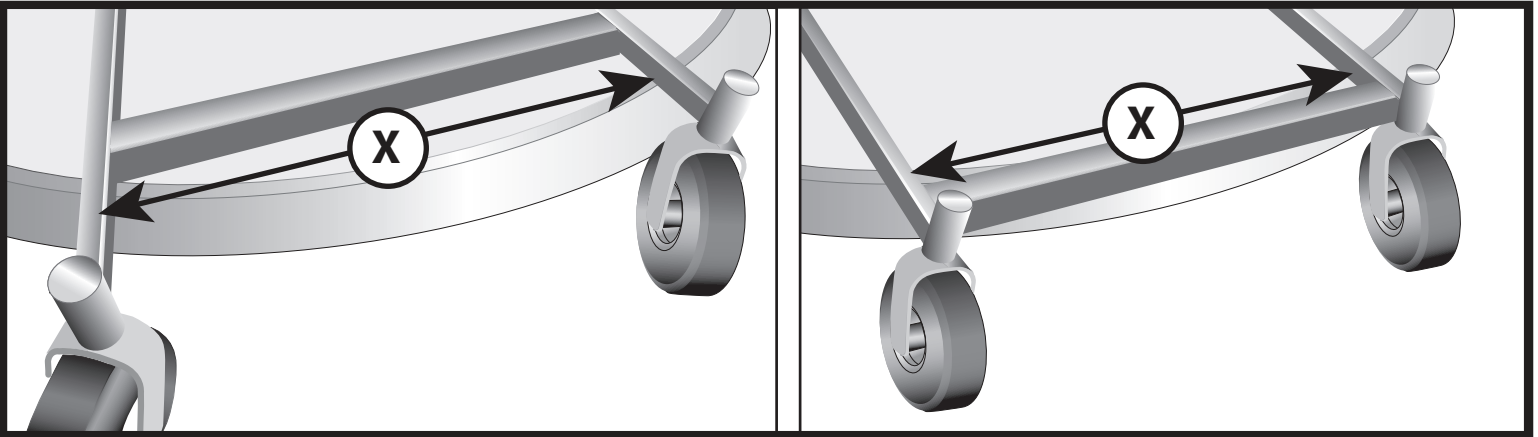
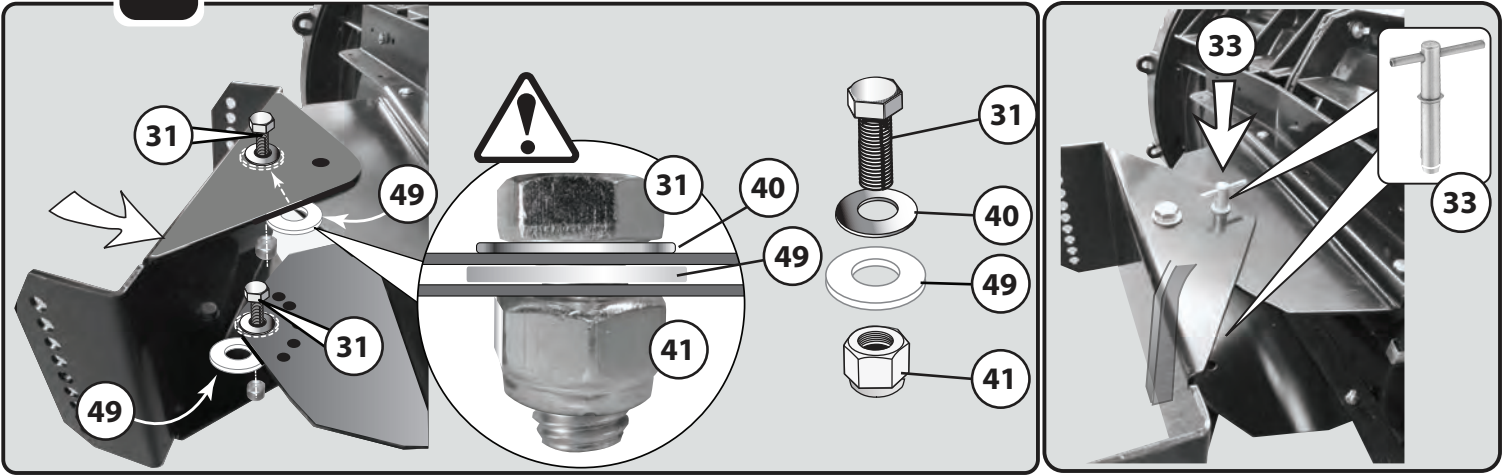
7



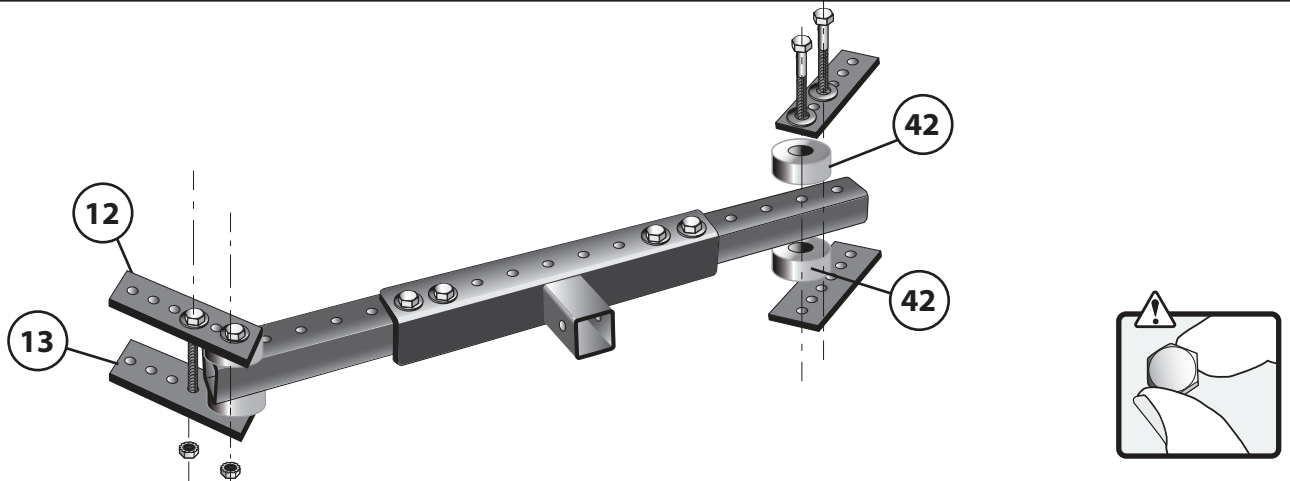
X 4

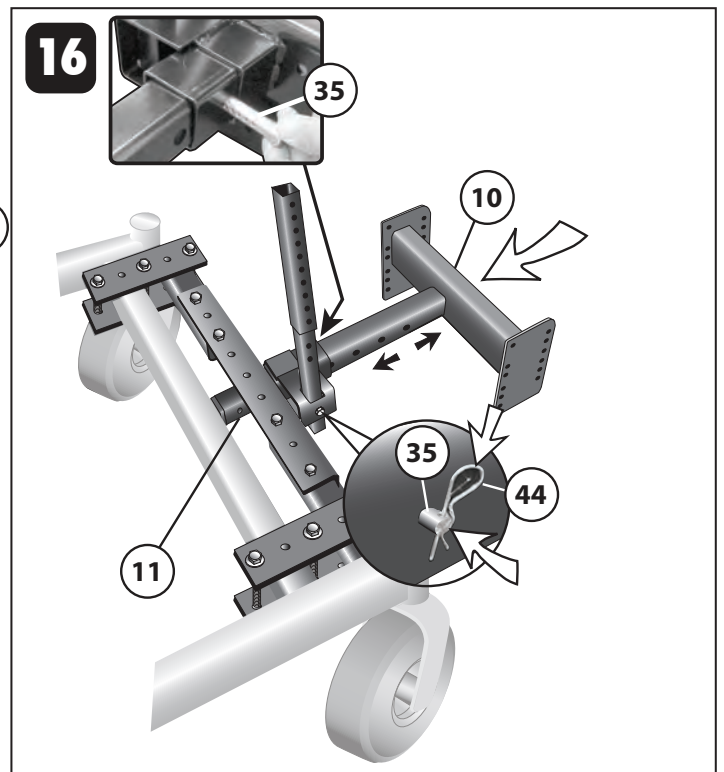
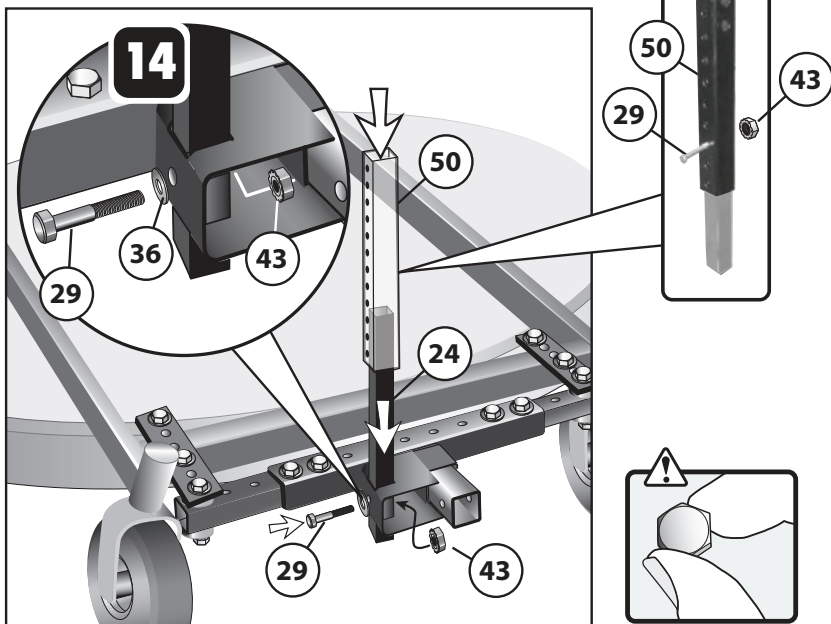
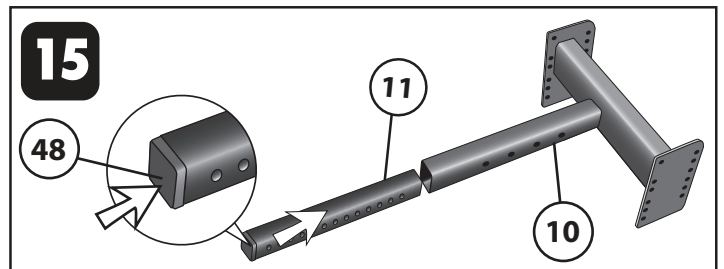
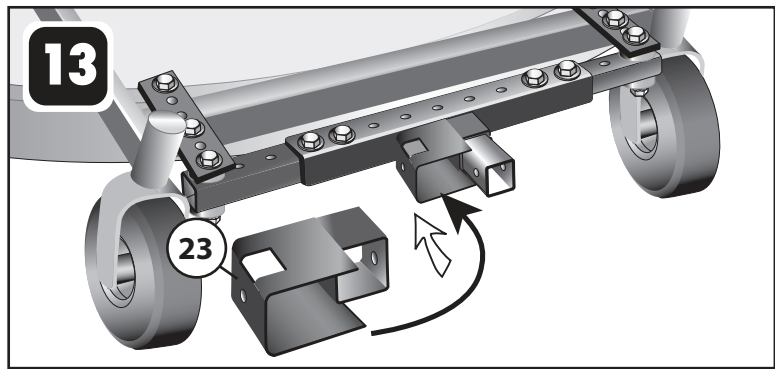
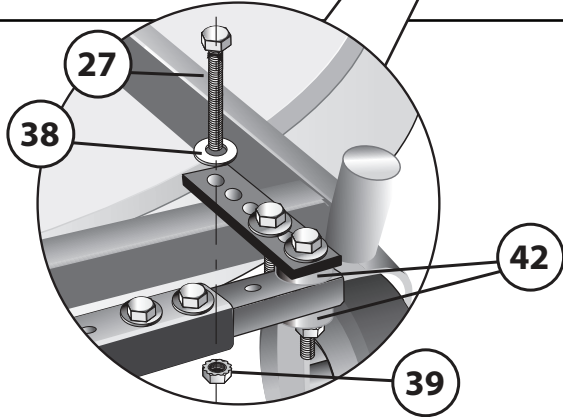
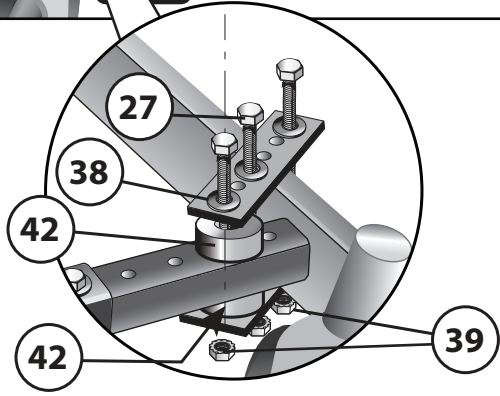
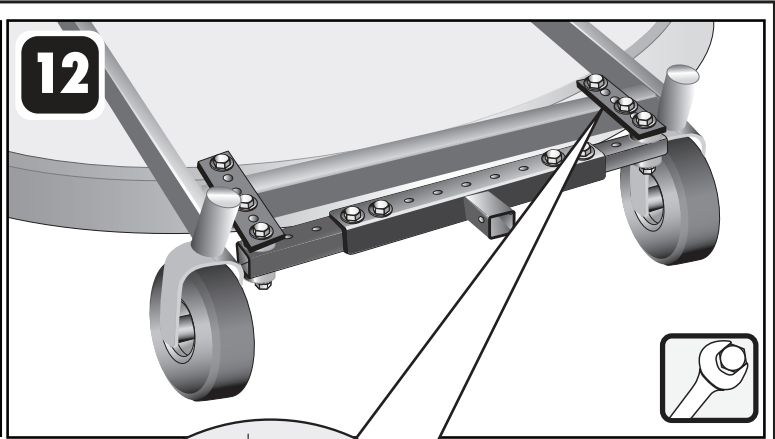
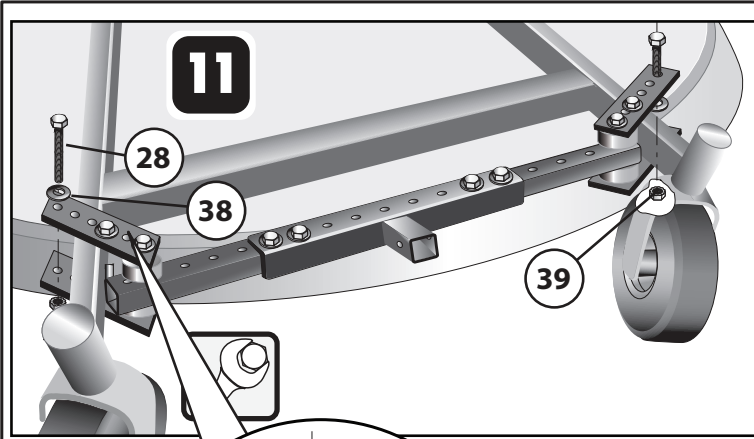


8

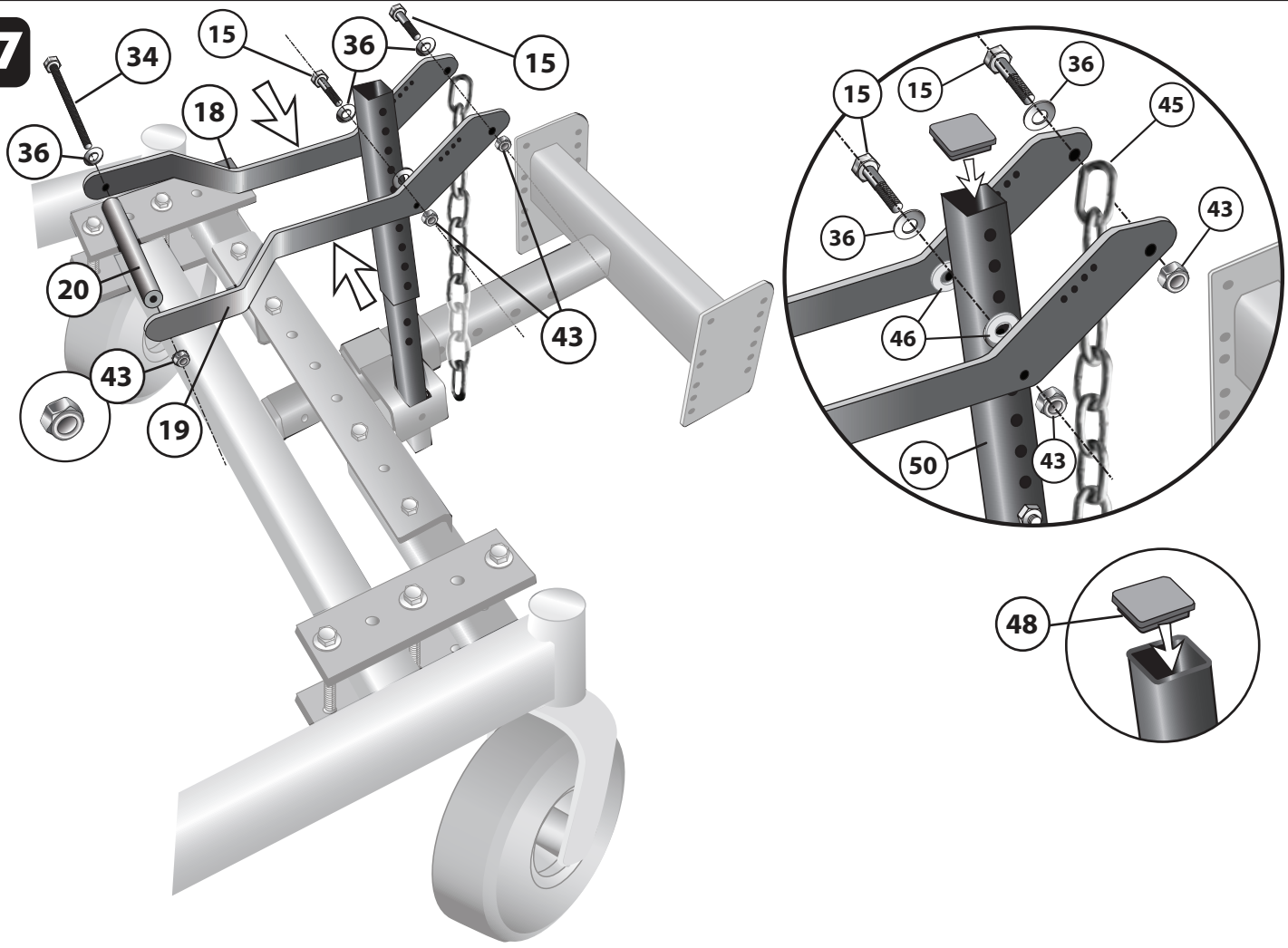


10

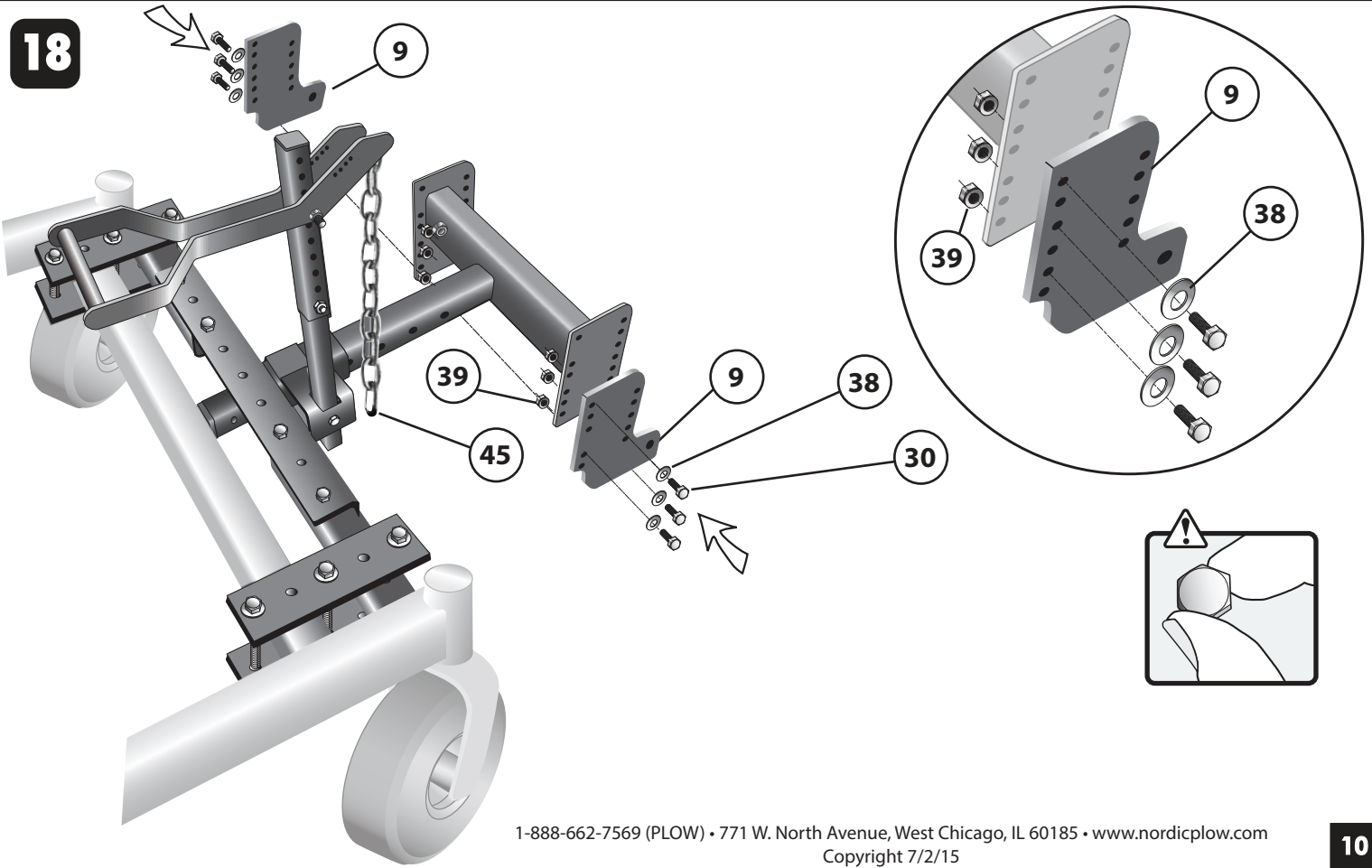




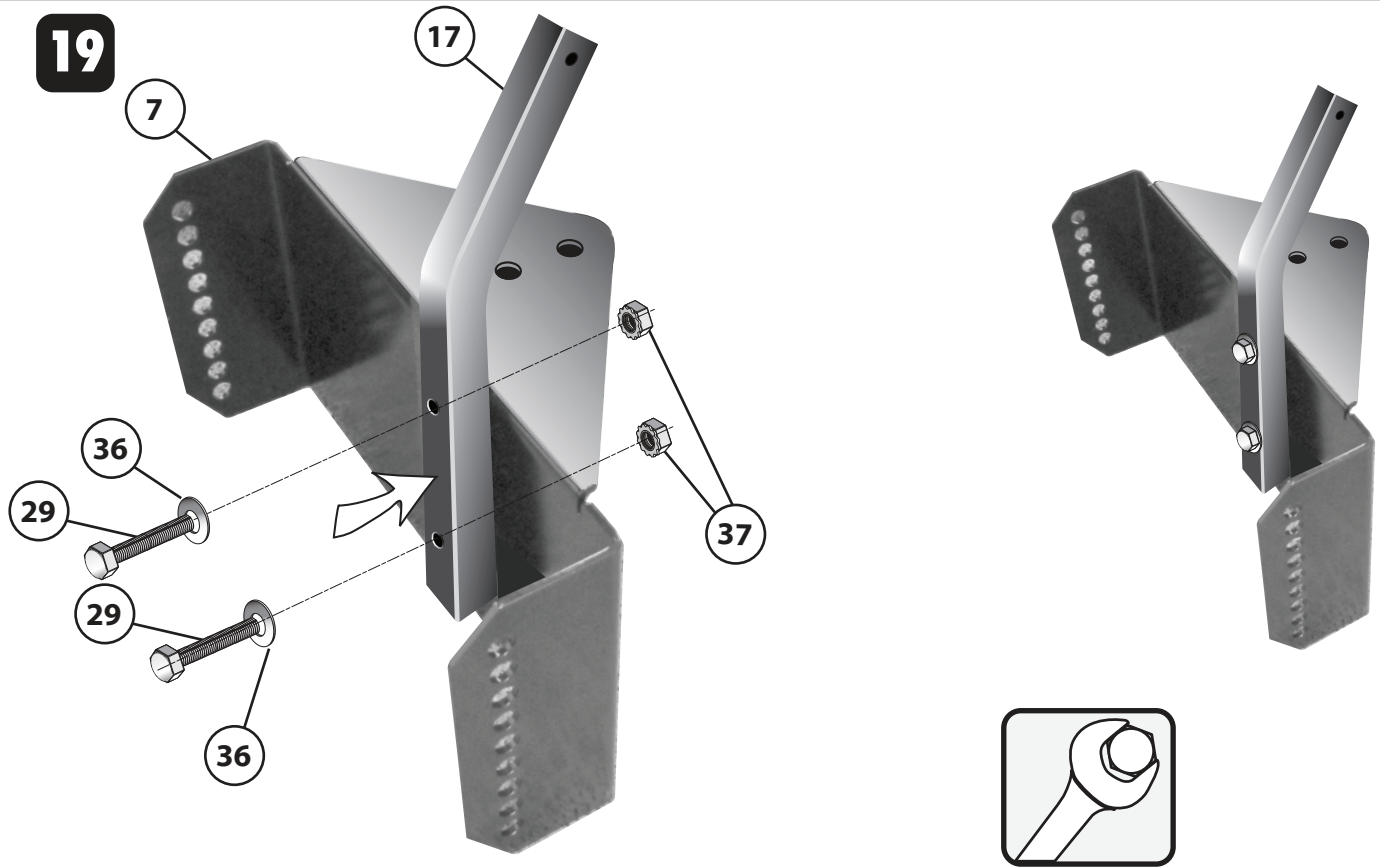
17



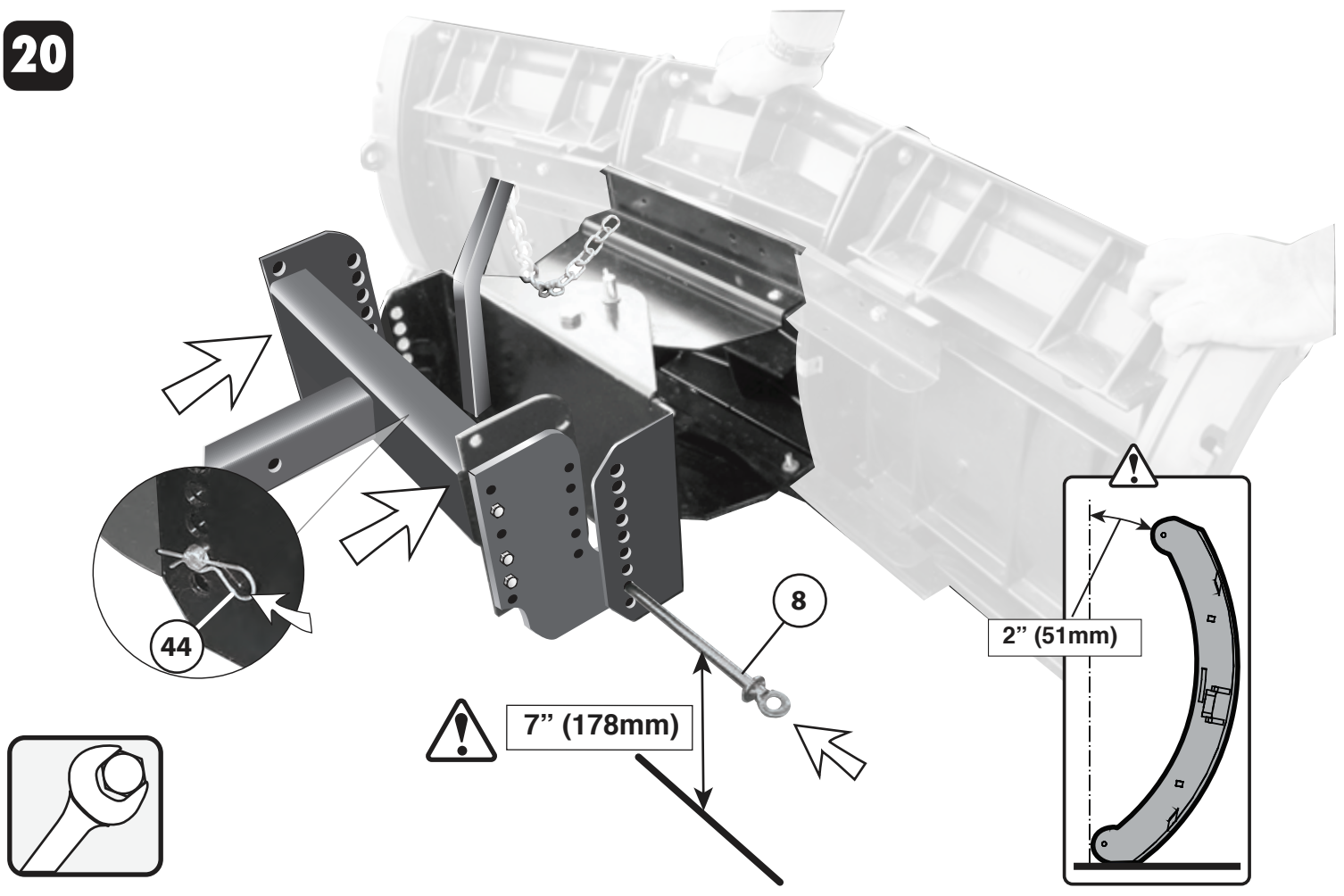
18



19



20



21

